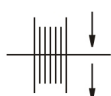
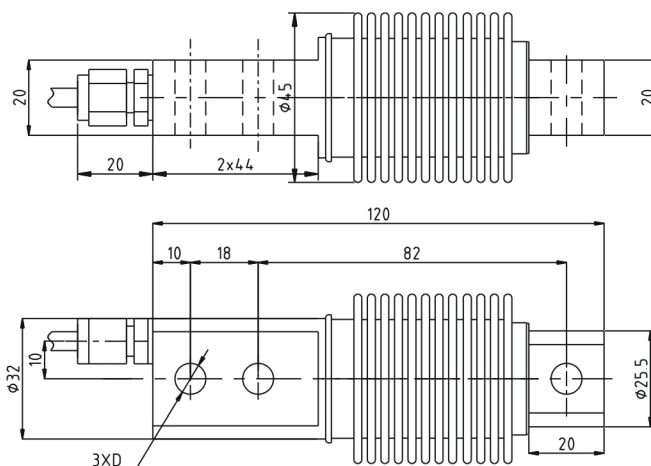


HSX-A Load Cell



Rated Load	D
5,10,20,30,40,50,75	$\phi 8.2$
100,150,200,250	$\phi 10.2$
300,500	$\phi 10.2$

Hopper scale, belt scale, blending system

SPECIFICATION

Rated load: 5, 10, 20, 30, 40, 50, 75, 100, 150, 200, 250, 300, 500kg	Insulation resistance: $\geq 5000M\Omega$
Accuracy class: C3	Nominal Temp Range: $-10^{\circ}C \sim +40^{\circ}C$
Sensitivity: $2.0 \pm 0.002mV/V$	Service Temp Range: $-30^{\circ}C \sim +70^{\circ}C$
Non-linearity: $\pm 0.02\%F.S$	Safe load limit: 150%F.S
Hysteresis error: $\pm 0.02\%F.S$	Breaking load: 200% F.S
Creep (30min): $\pm 0.015\%f.S$	Nominal of range excitation: 10~12V DC
TC Zero: $\pm 0.015\%F.S/10^{\circ}C$	Protection Class: IP68
TC Span: $\pm 0.015\%F.S/10^{\circ}C$	Material: Alloy steel
Input resistance : $400 \pm 20\Omega$	Stainless steel
Output resistance: $352 \pm 3\Omega$	Cable Length: 3m