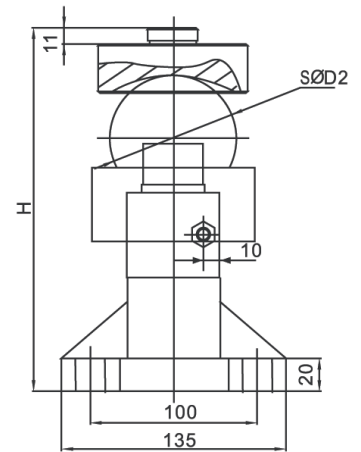
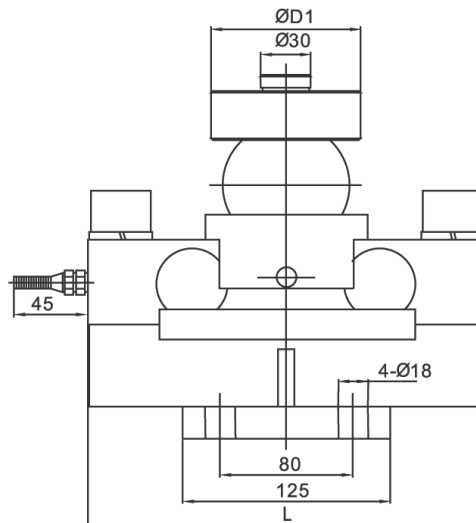
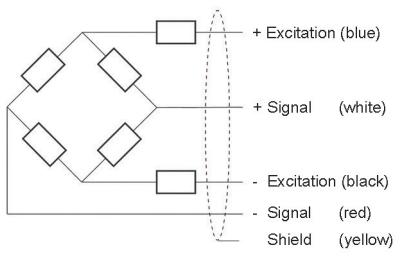


MK-QS-D



FEATURE:

- High precision, reliability and super stability
- Design of stainless steel ball, cup has super function in self-restoring corner pre-adjustment
- Anti-wallop and anti side force
- Easy to installation good interchangeability
- 5 core high quality orange cable
- Application to truck scale, railway scale hopper scale and other weighing equipment



SPECIFICATION

Rated capacities	30t	Temperature compensated	-10°C ~ +40°C
Rated output	5000	Temperature, operating	-30°C ~ +70°C
Accuracy class	C3	Maximum safe overload	120%F.S
Zero balance	±1%F.S	Ultimate overload	200%F.S
TC ZERO	±0.02%F.S/10°C	Excitation, recommended	10-12V DC
TC SPAN	±0.02%F.S/10°C	Excitation, maximum	15V DC
Input resistance	750±10Ω	Protection class	IP68
Output resistance	702±3Ω	Construction	Alloy steel
Insulation resistance	≥5000MΩ	Cable	Length: 16m
			Diameter: Φ6mm